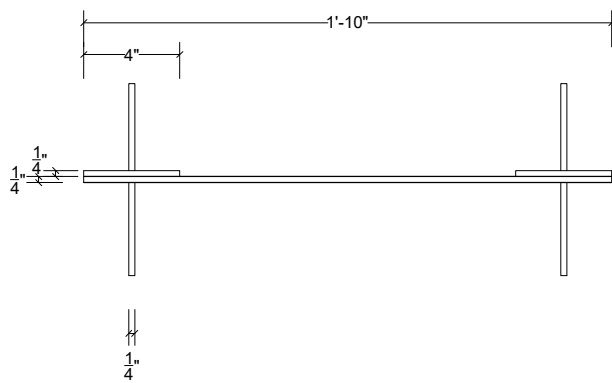


PRODUCED BY AN AUTODESK STUDENT VERSION

PRODUCED BY AN AUTODESK STUDENT VERSION

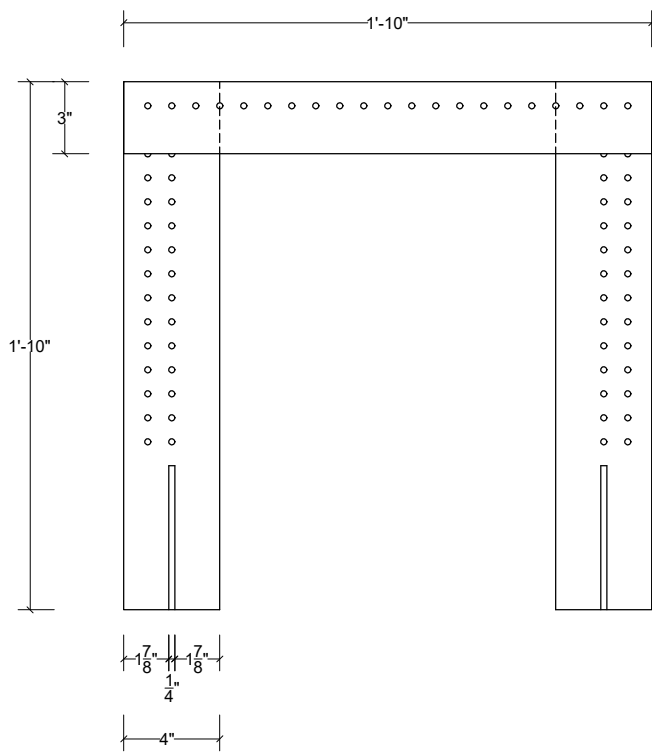
Top View



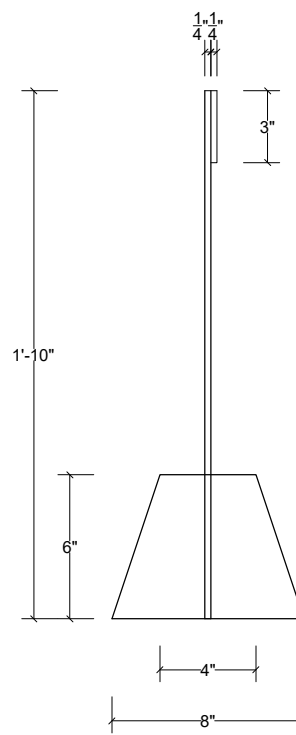
NOTES:

- Assembled view. See page 2 for shipping configuration. To be assembled by performers in various configurations.
- 4 nuts and bolts required per unit for $\frac{1}{4}$ " holes.
- To be constructed from $\frac{1}{4}$ " plywood.
- Assembled unit is intended to be adjustable to all hole points.
- A-Frame support to fit snugly in vertical support slots.

Front View



Side View



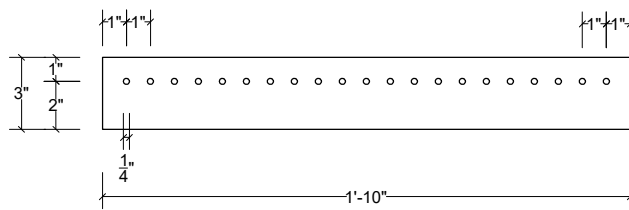
Mary Stuart

Vanity Mirror - Ortho Views

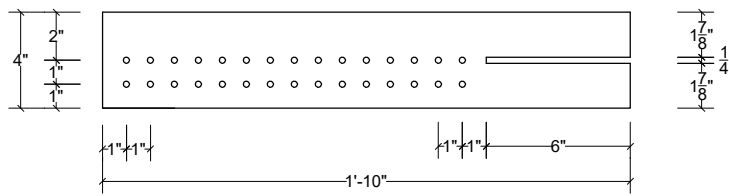
Director: Mallory Fisher	Designer: Lexi Mendoza
Dwg by: Lexi Mendoza	Grenfell Theatre
Scale: 1-1/2" = 1'-0"	Online
Date: October 21, 2020	

1
OF
4

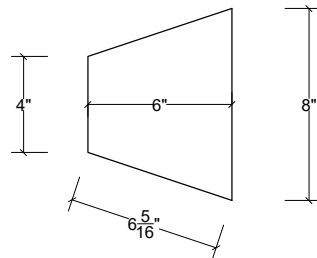
Horizontal Slat - Cut 13



Vertical Slat - Cut 26



Support - Cut 26



NOTES:

- To be constructed from 1/4" plywood.
- A-Frame support to fit snugly in vertical support slots.
- Holes 1/4" diameter. All spaced 1" from hole centres.

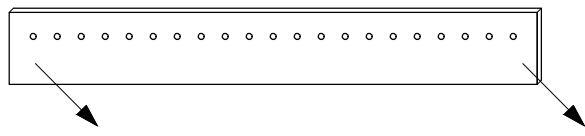
Mary Stuart

Vanity Mirror - Cut Sheet

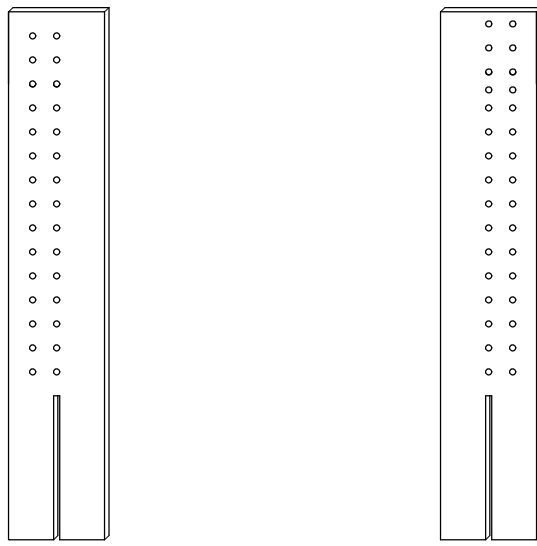
Director: Mallory Fisher	Designer: Lexi Mendoza
Dwg by: Lexi Mendoza	Grenfell Theatre
Scale: 1-1/2" = 1'-0"	Online
Date: October 21, 2020	

2
OF
4

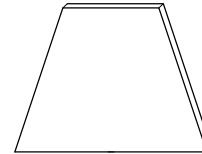
Horizontal Slat - 1 piece



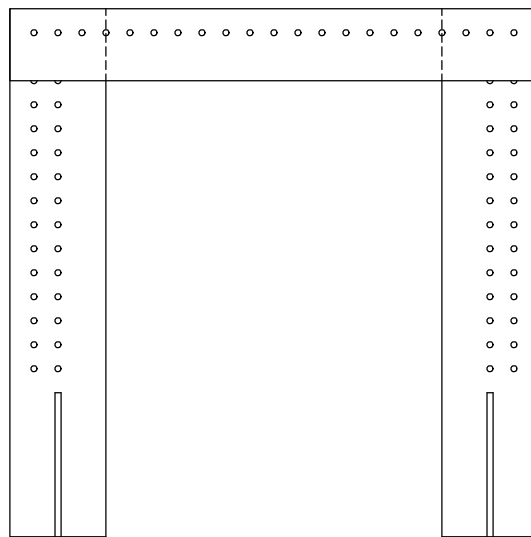
Vertical Slat - 2 pieces (identical)



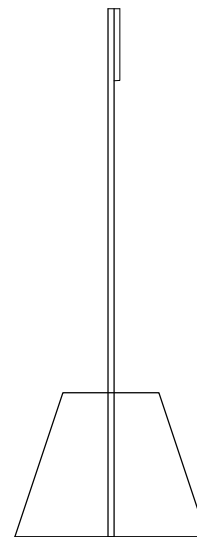
A-Frame Support - 2 pieces



Assembled Front View



Assembled Side View



NOTES:

- Holes should face outside camera frame.
- Assemble by securing 4 bolts and nuts into holes at intersections of vertical and horizontal slats
- Assembled configuration may differ from image as horizontal and vertical positions are adjustable to fit individual performer's camera framing.
- A-Frame supports are inserted into vertical slots and should be even on both sides.
- Lights should be attached to the performer (NOT camera) side of unit.
- See written included assembly instructions for more information.

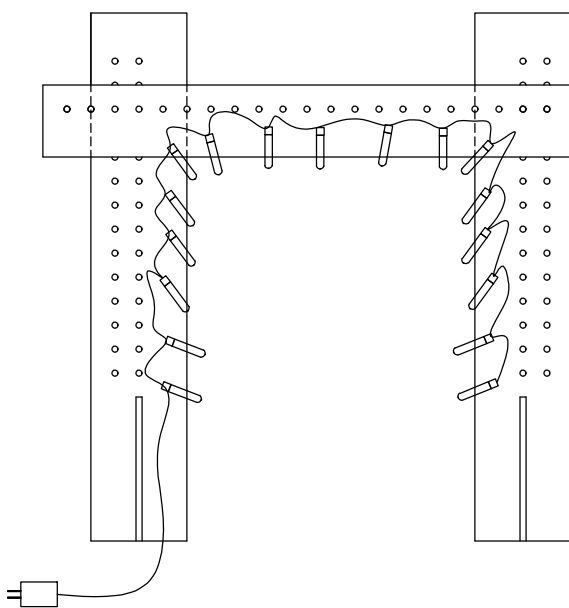
Mary Stuart

Vanity Mirror - Assembly

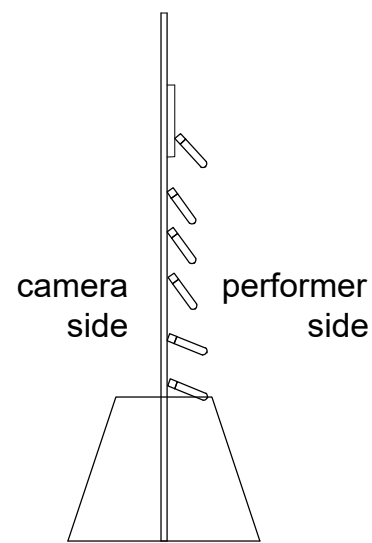
Director: Mallory Fisher	Designer: Lexi Mendoza
Dwg by: Lexi Mendoza	Grenfell Theatre
Scale: 1-1/2" = 1'-0"	Online
Date: October 21, 2020	

3
OF
4

Assembled Front View (performer side)



Assembled Side View



NOTES:

- Lights should be attached using tape or clips. Adjustment holes may also be utilized to attach lights with wire.
- The lights should be seen just beyond the frame edge. The wire should NOT be seen by the audience.
- Lights should be attached to the performer (NOT camera) side of unit.
- Plug can be situated on either left or right side, whichever is more convenient for performer outlet access.
- See written included assembly instructions for more information.

Mary Stuart

Vanity Mirror - Assembly with Lights

Director: Mallory Fisher	Designer: Lexi Mendoza
Dwg by: Lexi Mendoza	Grenfell Theatre
Scale: 1-1/2" = 1'-0"	Online
Date: October 21, 2020	

4
OF
4